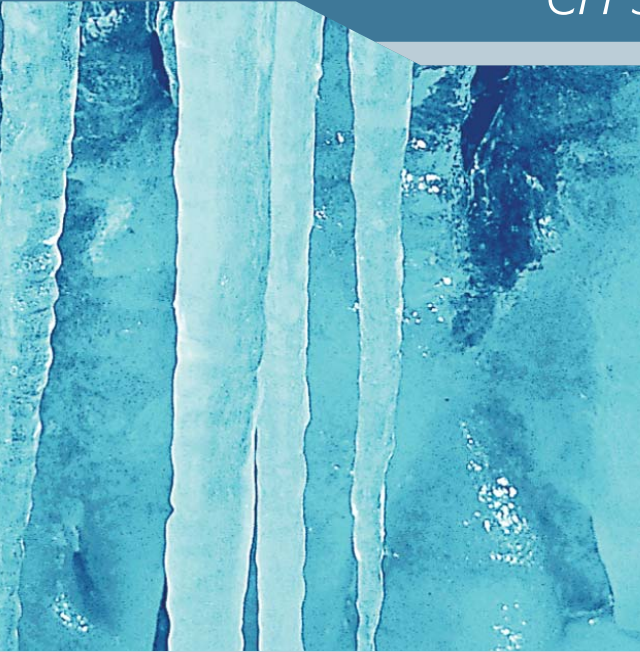


Air Cooled Chillers CH 50 - CH 480 Series



English

The CH 50 – CH 480 series Water Chillers are amongst the most compact ones in the market and guarantee maximum energy efficiency and application flexibility, with capacities from 6.6 kW to 57 kW.



Customers. The core of our innovation

Air Cooled Chillers

CH 50 – CH 480 Series

The CH Series, a range of compact and energy efficient Water Chillers, with cooling capacities from 6.6 to 57 kW (5.700 to 49.000 kcal/h) covers all requirements and provides cooling water for all applications.



CH 380-480



CH 180-280



CH 50-90

Standard features

- > Scroll compressors
- > R407C refrigerant
- > Polyester painted galvanised frame
- > High and low pressure switches
- > High and low pressure gauges
- > Thermostatic expansion valve
- > Finned copper tube condenser
- > Washable metal filters to protect the air-cooled condensers
- > Brazed plate type evaporator
- > Antifreeze temperature switch
- > Internal hot-deep galvanised steel water tanks
- > High performance stainless steel water pumps
- > Water pressure safety switch
- > Water by-pass valve
- > Microprocessor control
- > Alarm output and remote control facility
- > Automatic fill, backup and air relief kit



CH 50 - CH 90:
water tank

Safety at its best

The CH chiller Series boasts the following safety features:

- > high and low **pressure switches**
- > **antifreeze sensor**
- > **differential pressure switch** to protect against insufficient water flow
- > high and low **pressure gauges**
- > **washable metal filters** to protect the air-cooled condensers.

CH 380 - CH 480:
internal view





CH 50 - CH 480 control panel

The CH chillers are ideal for cooling moulds, hydraulic oil of injection and blow moulding machines, extruders, thermoforming machines, moulds, calanders and rolls, etc. They are also suitable for use with machine tools and for many other applications where accurate cooling is required. The CH chillers are reliable and versatile, easy to install and ready for use.

All units have **built-in water tanks** and **high performance circulating pumps** and can operate in ambient conditions up to **40°C**



CH 50 - CH 90

▶ Performance and reliability

The CH Series is characterised by extremely compact dimensions. The **Scroll compressors**, used as standard on all models, allow very low energy consumption. These compressors have low noise levels and eliminate the risk of liquid refrigerant damaging the compressors.

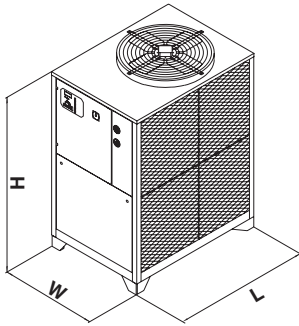
▶ Optional features

- > Outdoor installation versions
- > Stainless steel tank
- > High pressure stainless steel pump
- > Automatic water by-pass valve
- > Hot gas by-pass for extremely precise water temperature
- > Mechanical water filter

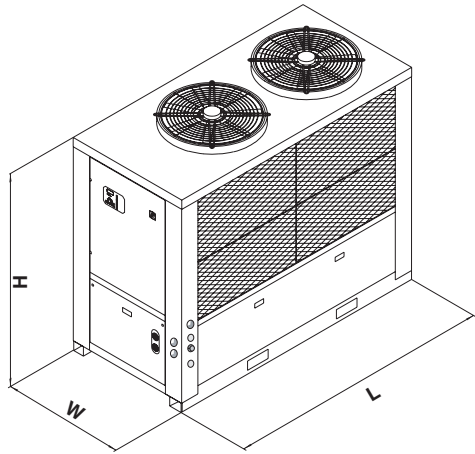
▶ Simple to install

- > Pre-set to operate
- > Base frame for forklift handling
- > Reduced weight and footprint dimensions
- > Easy start-up with high water temperatures
- > Possible air exhaust ducting for heat recovery
- > All models can be installed outdoors:
 - installation underneath a protective shed
 - condenser fans with automatic speed regulation device

Technical Data



CH 50 - CH 280
single-fan models



CH 380 - CH 480
dual-fan models

CHILLERS		CH 50	CH 90	CH 180	CH 280	CH 380	CH 480
cooling capacity	kW	6,6	10,2	22,0	37,6	47,4	57,0
	kcal/h	5.700	8.800	18.900	32.300	40.800	49.000
nominal compressor absorbed power	kW	1,3	2,2	4,2	8,0	9,9	11,9
standard pump	m ³ /h	1,2 / 4,8	1,2 / 4,8	1,2 / 4,8	3,6 / 6,0	3,6 / 7,2	4,8 / 9,6
	bar	3,0 / 2,2	3,0 / 2,2	4,5 / 2,8	3,6 / 3,0	4,6 / 3,7	4,0 / 3,3
	kW	0,55	0,55	0,90	1,10	1,50	1,85
high pressure pump	m ³ /h	1,2 / 8,4	1,2 / 8,4	1,2 / 8,4	1,2 / 12,0	1,2 / 12,0	1,2 / 12,0
	bar	6,0 / 4,1	6,0 / 4,1	6,0 / 4,1	6,1 / 4,6	6,1 / 4,6	6,1 / 4,6
	kW	1,85	1,85	1,85	3,00	3,00	3,00
total installed power (standard pump)	kW	3,3	4,4	8,8	14,5	18,8	22,7
total installed power (high pressure pump)	kW	5,1	6,2	10,1	17,3	21,1	24,5
tank capacity	dm ³	70	70	100	100	150	150
weight	kg	230	240	295	370	460	500
dimensions W x L x H	mm	677x1007x1500	677x1007x1500	885x1220x1715	885x1220x1715	886x1409x2010	886x1409x2010

The data refer to the following conditions: R407C refrigerant; 15°C outlet water temperature; 25°C ambient air temperature; 400V/3/50Hz.

Water-condensed chillers are available on request.